

Model 5-36 Centrifugal Blower

Model 5-36 Centrifugal Blower is mainly used in the ventilation and dust catching. The dust and hard grain mater is no more than 150mg/m³. Model Y5-36 adopts mainly for the exhaust treatment of civil boiler. The gas temperature conveyed is no higher than 200°C.

Model 5-36 Centrifugal Blower Datasheet

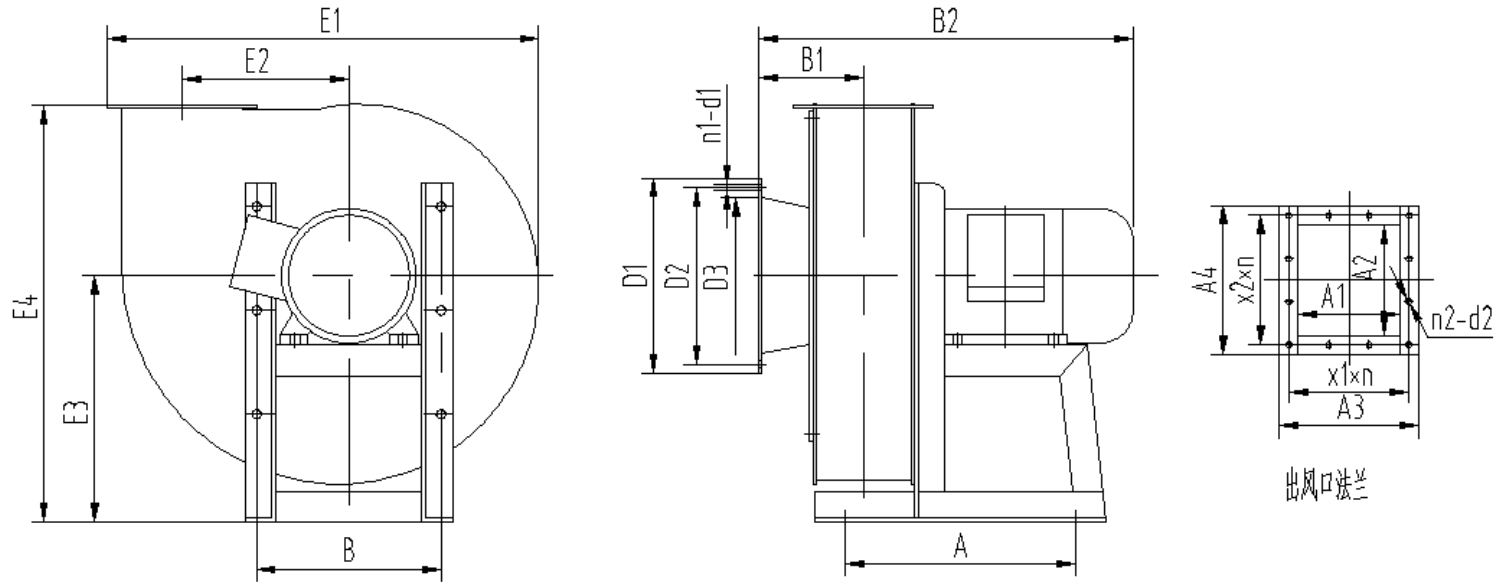
No.	Type	r/min	No.	Flux m ³ /h	Total pressure Pa	Power kW	motor	
							Type	Power kW
3.8	A	2900	1	1300	2128	1.32	Y90L-2	2.2
			2	1423	2042	1.38		
			3	1548	2000	1.47		
			4	1670	1967	1.56		
			5	1795	1926	1.65		
			6	1917	1885	1.72		
			7	2167	1844	1.90		
4	A	2900	1	1350	2716	1.75	Y100L-2	3
			2	1515	2605	1.88		
			3	1686	2545	2.04		
			4	1855	2490	2.20		
			5	2022	2438	2.35		
			6	2191	2380	2.48		
			7	2527	2324	2.80		
4.5	A	2900	1	1850	3236	2.85	Y112M-2	4
			2	1982	3070	2.90		
			3	2110	2983	3.00		
			4	2248	2900	3.10		
			5	2380	2810	3.18		
			6	2511	2732	3.27		
			7	2780	2648	3.51		
5	A	2900	1	3606	3383	5.19	Y132S ₂ -2	5.5
			2	3740	3298	5.25		
			3	3876	3215	5.30		
			4	4010	3132	5.35		
			5	4146	3050	5.38		
			6	4281	2960	5.40		
			7	4418	2883	5.42		
5.5	A	2900	1	3545	5021	7.58	Y160M ₁ -2	11
			2	3800	4933	7.98		
			3	4065	4855	8.40		
			4	4322	4770	8.78		
			5	4580	4690	9.15		
			6	4840	4612	9.50		
			7	5100	4531	9.84		

Shuangcheng Blower

Model 5-36

No.	Type	r/min	No.	Flux m ³ /h	Total pressure Pa	Power kW	Motor	
							Type	Power kW
5.5	D	1450	1	2007	1295	1.24	Y90L-4	1.5
			2	2140	1275	1.30		
			3	2270	1252	1.35		
			4	2400	1230	1.41		
			5	2535	1210	1.46		
			6	2670	1188	1.51		
			7	2800	1167	1.55		
6	D	1450	1	2609	1363	1.62	Y100L1-4	2.2
			2	2800	1340	1.79		
			3	3000	1310	1.87		
			4	3180	1285	1.95		
			5	3365	1258	2.02		
			6	3556	1230	2.08		
			7	3744	1206	2.15		
6.5	D	1450	1	3384	1667	2.69	Y100L2-4	3
			2	3600	1590	2.72		
			3	3820	1520	2.76		
			4	4040	1450	2.78		
			5	4260	1377	2.79		
			6	4480	1305	2.78		
			7	4700	1236	2.77		

Shuangcheng Blower



Shape and Installation Size Chart of Model 5-36 A Centrifugal Blower

No.	Inlet flange					Outlet flange								Shape Size						Installation Size			
	D1	D2	D3	Coupling bolt		A1	A2	A3	A4	Coupling bolt				E1	E2	E3	E4	B1	B2	A	B	Anchor bolt hole	
				d1	n1					d2	n2	x1×n	x2×n									Φ	quantity
3.6	234	205	184	8	8	126	136	176	186	8	10	77×2	54×3	535	207.5	305	517	122	470	300	240	15	4
3.8	254	230	204	10	8	132	144	182	194	8	12	52×3	56×3	561	217	320	542	136.5	487	300	240	15	4
4	254	230	204	10	8	140	149	190	199	8	12	54×3	57×3	591	231.5	335	570	140.5	530	340	260	15	4
4.5	306	280	256	10	8	156	167	206	217	8	12	60×3	63×3	660	260	377	637	148	566	385	300	15	4
5	306	280	256	10	8	172	182	223	235	12	16	50×4	53×4	742.5	296	417	714	174	655	425	340	15	4
5.5	406	380	356	10	12	189	212	239	262	12	16	54×4	59×4	803	315.5	460	787	179.5	764	530	406	15	4